

### Features

- Bask® heated surface creates spa-like relaxation with soothing warmth on your back, shoulders, and neck.
- Three heat settings allow you to customize the surface temperature.
- Single-speed whirlpool offers performance and value, with 5 fully adjustable jets.
- Hydromassage flow and direction can be controlled at each jet.
- Hourglass shape adds style and elegance to your bathroom.
- Textured bottom surface.

### Material

- Acrylic.

### Hydrotherapy

- Whirlpool.

### Installation

- Reversible drain.
- Drop-in.

### Recommended Products/Accessories

- K-1278 Removable Apron
- K-7161-AF 1-1/2" adjustable pop-up drain above- or through-floor
- K-9695 5-Jet Trim Kit
- K-24916 Wireless Music Kit
- K-37380 30" Rough-in Cable Bath Drain
- K-37383 Rough-in cable bath drain, PVC, 30" cable with tubing
- K-37386 rough-in cable drain, PVC, 30" cable
- K-23726 Drain treatment
- K-23732 Tub & shower cleaner
- K-7265 Brass toe tap bath drain
- K-7259 Brass toe tap bath drain
- K-7166-AF Bath Drain



### Codes/Standards

- ASME A112.19.7/CSA B45.10
- CSA B45.5/IAPMO Z124
- ASTM E162
- ASTM E662
- UL 1795




### KOHLER® Plastic Baths and Receptors Lifetime Limited Warranty KOHLER® Hydrotherapy Components Five-Year Limited Warranty

See website for detailed warranty information.

### Available Colors/Finishes

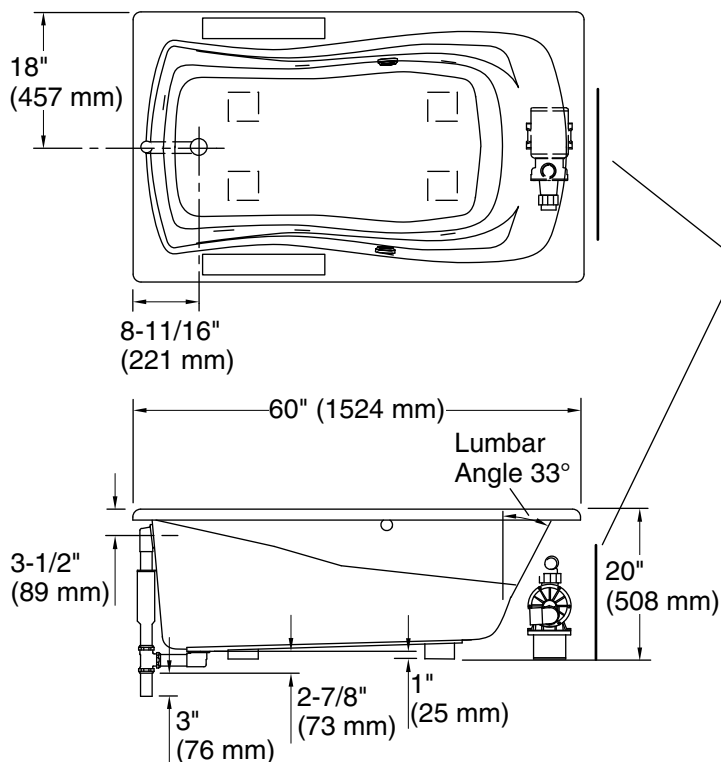
*Color tiles intended for reference only.*

Color	Code	Description
-------	------	-------------

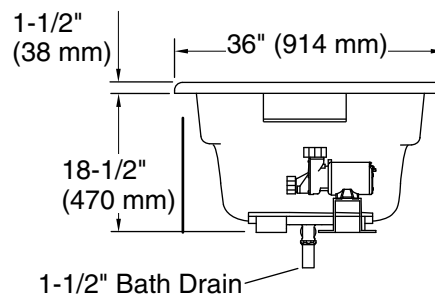
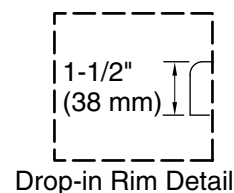
	0	White
	96	Biscuit
	NY	Dune

No change in measurements if connected with drain illustrated. (K-7161-AF)

 Recommended Faucet Location



Pump/Control Access  
(If Apron Is Not Used)  
30" (762 mm) W x  
15" (381 mm) H Min



### Required Electrical Service

One dedicated circuit required, protected with Class A Ground-Fault Circuit-Interrupter (GFCI). Outside North America, this device may be known as a Residual Current Device (RCD).

Pump, Heated            120 V, 15 A, 60 Hz  
Surface:

### Technical Information

All product dimensions are nominal.

Installation:            Drop-in  
Drain location:        End  
Basin area, bottom:   46" x 24" (1168 mm x 610 mm)  
Basin area, top:       54" x 27" (1372 mm x 686 mm)  
Weight:                111 lbs (50.3 kg)  
Minimum floor load:   44 lbs/ft<sup>2</sup> (214.8 kg/m<sup>2</sup>)  
Water depth:           14" (356 mm)  
Water capacity:       63 gal (238.5 L)  
Cutout:                Drop-in, 58" x 34" (1473 mm x 864 mm)  
Electrical component  
rating:                Pump: 120 V, 7 A, 60 Hz  
                             Heated Surface: 120 V, 0.5 A, 60 Hz, 65 W  
Pump speed:           Single

### Notes

Measure your actual product for rough-in details.

Install this product according to the installation instructions.

The hot water supply should be 70% of the capacity of the bath or greater. Installations will vary.

If installing a rim-mount faucet, make sure there is no interference with drain overflow before drilling any holes. Consult local and national codes for minimum air gap requirements if installing a spout on the faucet deck.